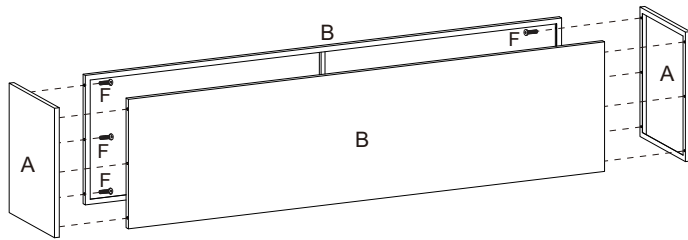


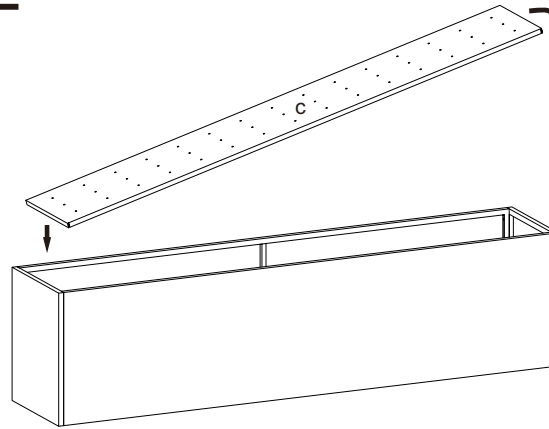
ROS Utekruka

DANGARDEN

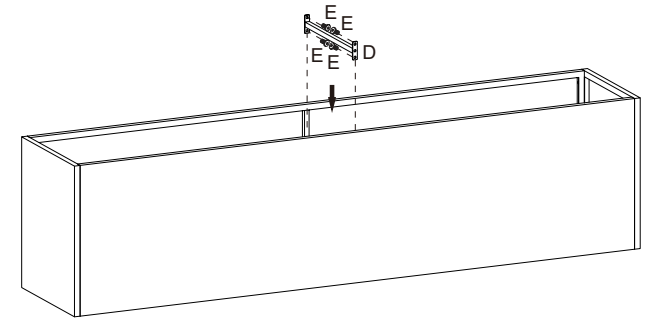
1



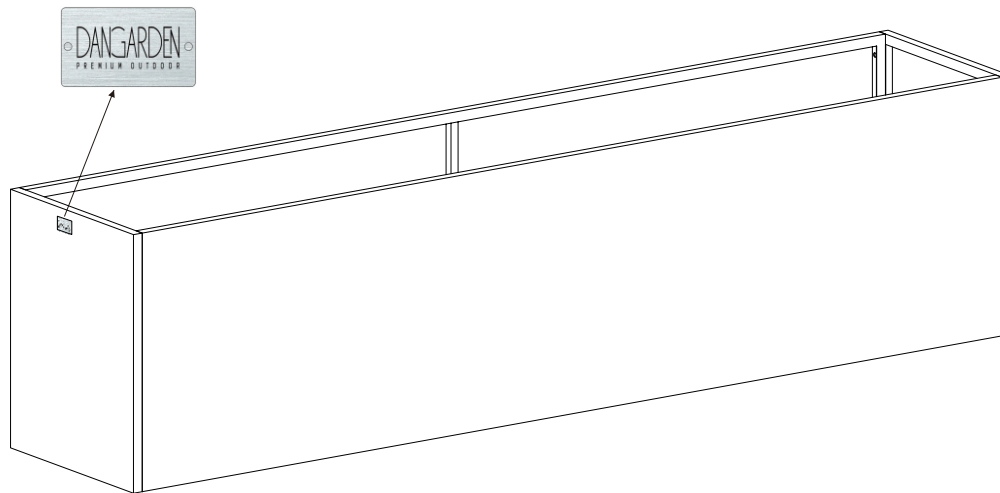
2


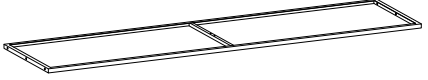
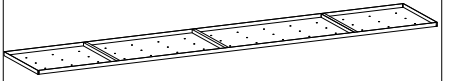

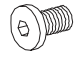
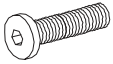
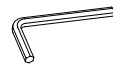


3



4



A		2
B		2
C		1
D		1
E		4
F		12
G		1